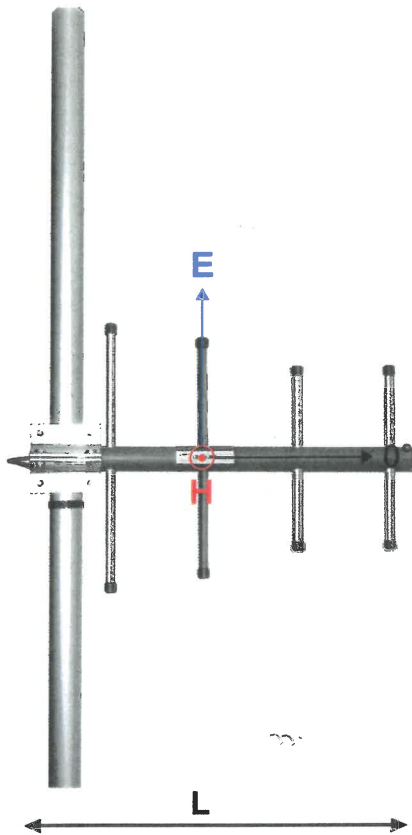


### FREQUENCY INDEPENDENT DATA



Description: directional yagi  
 Frequency: 135-145 MHz, 144-156 MHz,  
 154-166 MHz, 163-177 MHz,  
 221-239 MHz, 326-353 MHz,  
 336-364 MHz, 365-395 MHz,  
 380-410 MHz, 405-440 MHz,  
 440-475 MHz, 830-890 MHz,  
 880-960 MHz

Impedance: 50 ohm  
 Gain: 8 dBi  
 H -3 dB: 80°  
 E -3 dB: 57°  
 F/B: 12 dB  
 Polarization: vertical/horizontal  
 Connector: N-female/TNC-female  
 VSWR: < 1.5  
 Radome: UV resistant ABS/FG,  
 RAL 7012, PU foam filling

Radiator: copper  
 Passive elements: coated aluminium  
 Attachment: Ø 35-60 mm, aluminium alloy  
 bracket, stainless steel V-bolts and self-locking nuts

Lightning protection: DC-short circuited  
 Temperature: -40°C - +80°C  
 IP: 67

- combination of durability, light weight and low wind load
- radome enclosed radiator
- IP67 proof construction
- all electromechanics moulded inside of closed cell PU foam
- DC shorted feed point
- integrated impedance compensation
- integrated RF choke

