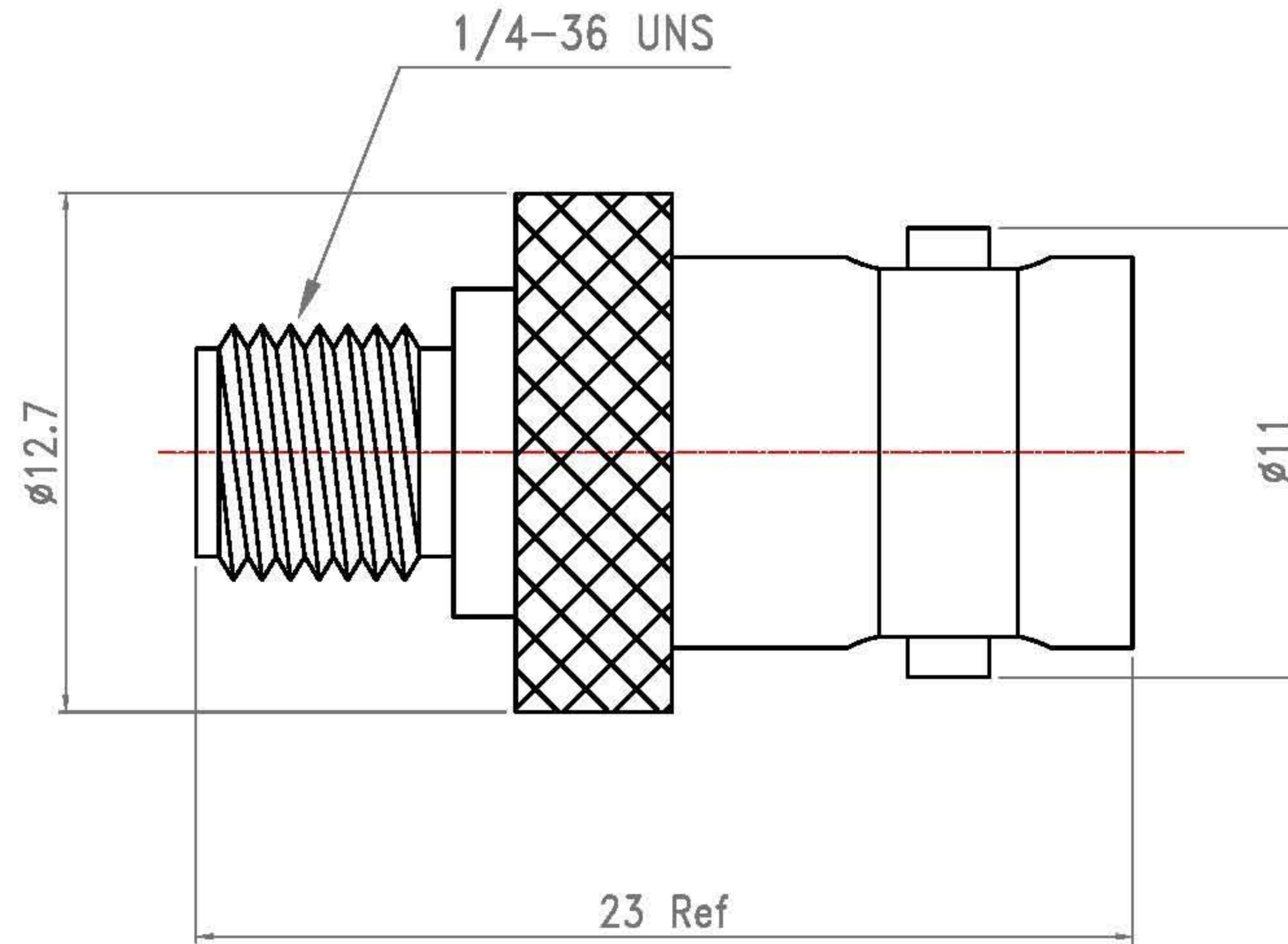


Revisions

Note: Revisions B; B-1; B-2..... On Behalf of Official Drawing.
 Revisions 1; 2; 3; 4..... On Behalf of Experiment's Drawing.

ISS	Symbol	Description	Date
B		CHE for New Drawing Frame & New PN System	2006/07/10

Outline Drawing



Change new drawing frame in Blue Color since 2009/07/01 to comply with Company CIS Policy.

RoHS COMPLIANCE

ITEM	Description	Material	Finish	Part Number	QTY	Scale	Abbr.	Date	Rev.	DWG.NO.
6						NTS	ST	2010/09/27	B	AT016F0N01
5						Tolerances :		All Dimensions in mm (Unless Otherwise Specified)		TITLE. SMA Jack to BNC Jack Adapter
4					.X	±0.2				
3	Pin	Brass	Gold			.XX	±0.1			
2	Insulator	PTFE	None			.XXX	+0.05			Customer P/N:
1	Body	Brass	Nickel			Drawn	Checked	Approved		
						<i>Mark</i>	<i>Ryan</i>	<i>G. Sun</i>		
						2010/09/27	2010/09/27	2010/09/27		