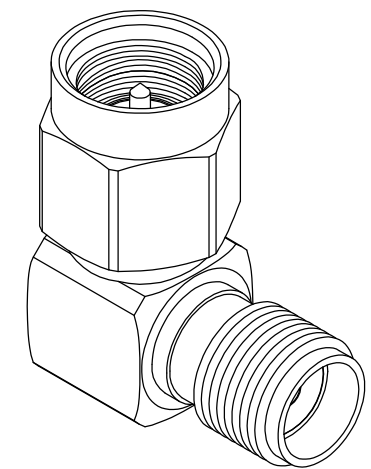
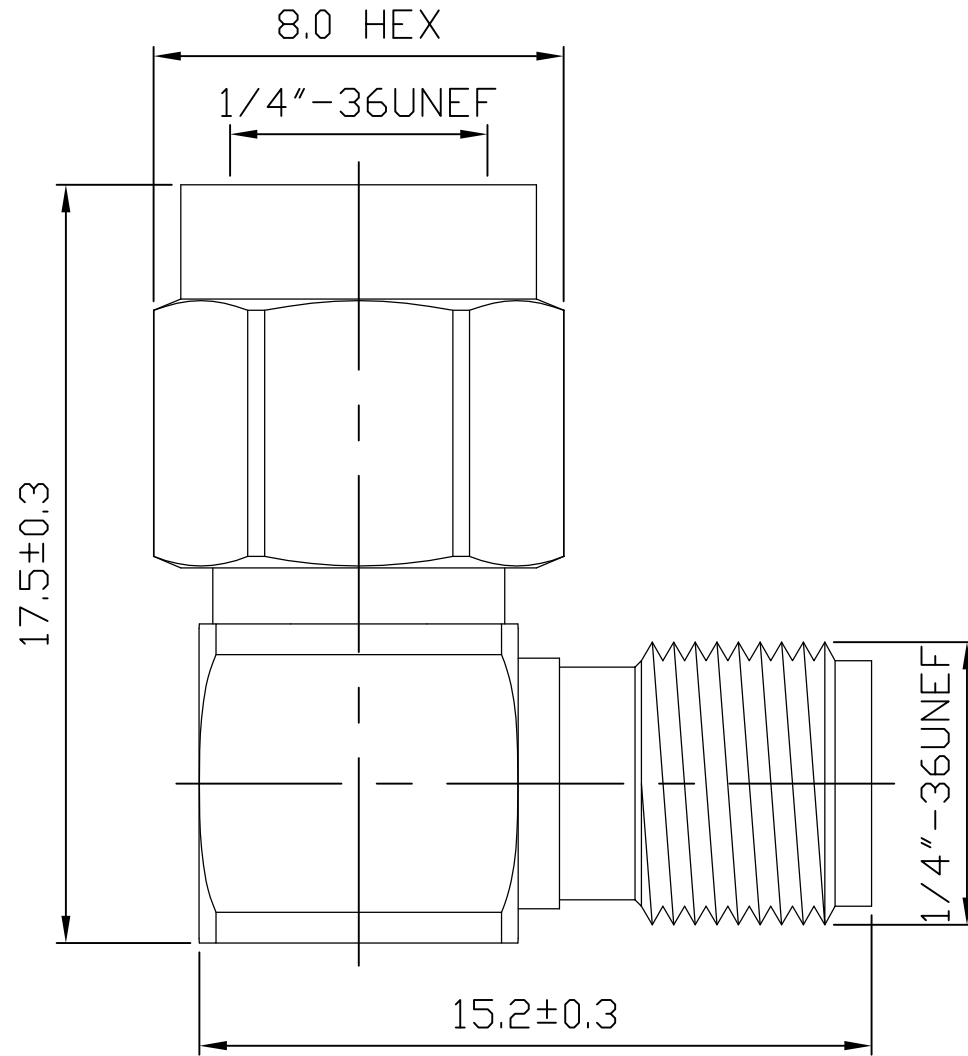


ROHS COMPLIANCE

DATE	DESCRIPTION	REV
13.01.02	NEW RELEASE	A



DO NOT SCALE DRAWING

7	GASKET	1	RUBBER	RED	
6	C-RING	1	BeCu	NONE	
5	PIN	1	BRASS	GOLD	
4	INSULATOR	2	PTFE	WHITE	
3	SHELL	1	BRASS	NICKEL	
2	BODY	1	BRASS	NICKEL	
1	BODY	1	BRASS	NICKEL	
NO	Description	Q'ty	Material	Finish	Part Number

UNLESS OTHERWISE SPECIFIED  
 1. REMOVE ALL BURRS.  
 2. BREAK ALL CONNERS & EDGES CO.15 MAX.  
 3. CHAMFER 1ST & LAST THREADS 45°.  
 4. DIAMETERS ON COMMON CENTERS.  
 TO BE CONCENTRIC WITHIN 0.01 T.I.R.  
 5. ALL DIMENSIONS ARE AFTER PLATING.

MAJOR DIMENSIONS  
 UNLESS OTHERWISE NOTED TOLERANCES  
 0.5-6=±0.2  
 6-30=±0.4  
 30-120=±0.6  
 ANGLES=±5°

APPROVED BY  
 CHECKED BY  
 DRAWING BY  
*Sheng*  
 DATE  
 2013/01/02

DRAWING NO  
 417-202  
 TITLE  
 R/A SMA MALE TO FEMALE  
 REV.  
 A

8 7 6 5 4 3 2 1