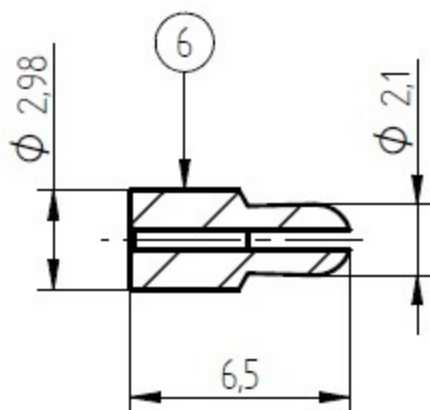
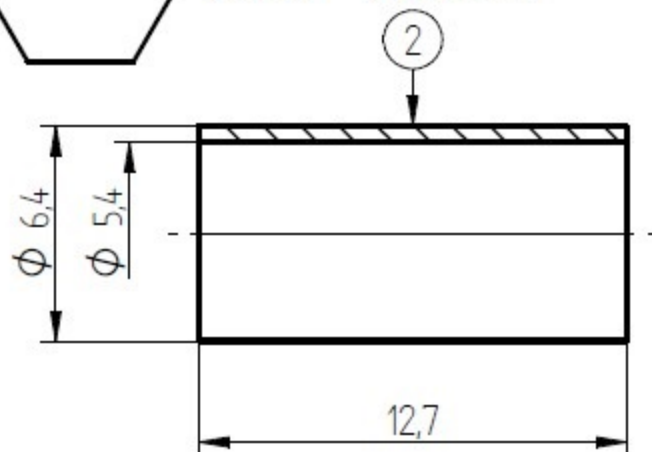


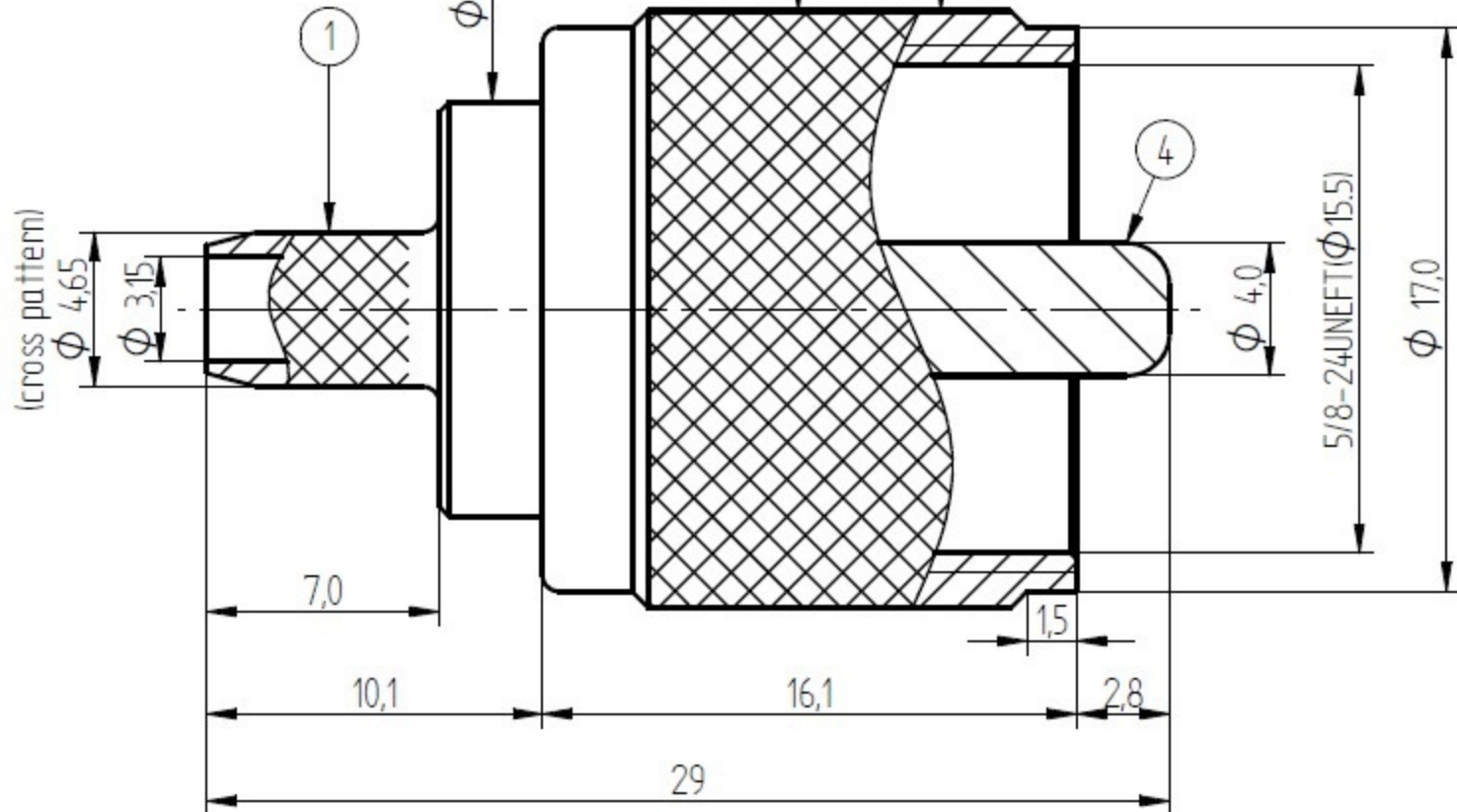
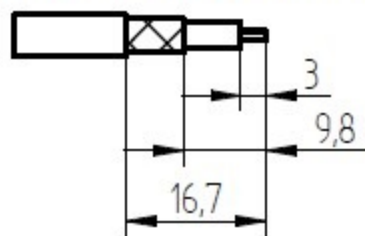


.213" TOOLS



.100" TOOLS

RECOMMENDED
CABLE STRIPPING DIM'S



ROHS

ISO 9001

ISO 14001

6	PIN	BRASS/GOLD	1
5	SHELL	BRASS/NI	1
4	PIN	BRASS/GOLD	1
3	INSULATOR	PTFE/WHITE	1
2	FERRULE	BRASS/NI	1
1	BODY	BRASS/NI	1
NO	DESCRIPTION	MATERIAL / FINISH	Q'TY

Material:		Treatment:		Unit: mm		TITLE		UHF M 58U	
Drawer	Design	Aprov	Tolerance	Ver: A	Scale 4:1	Model NO			
			X=±0.5 .X=±0.2 .XX=±0.1 .XXX=±0.05	File NO: QR0402	Drawing NO				