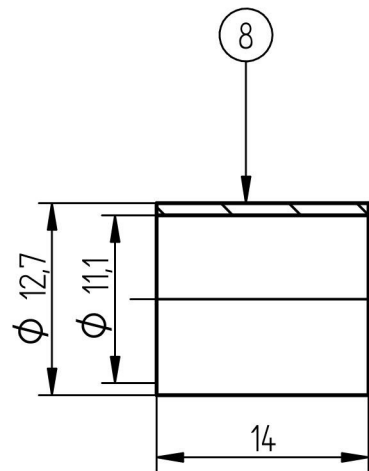
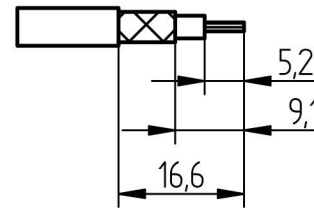


ROHS

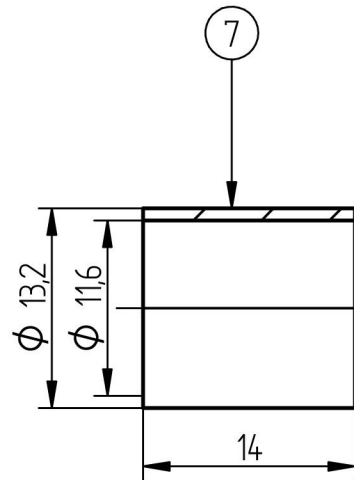
ISO 9001

ISO 14001

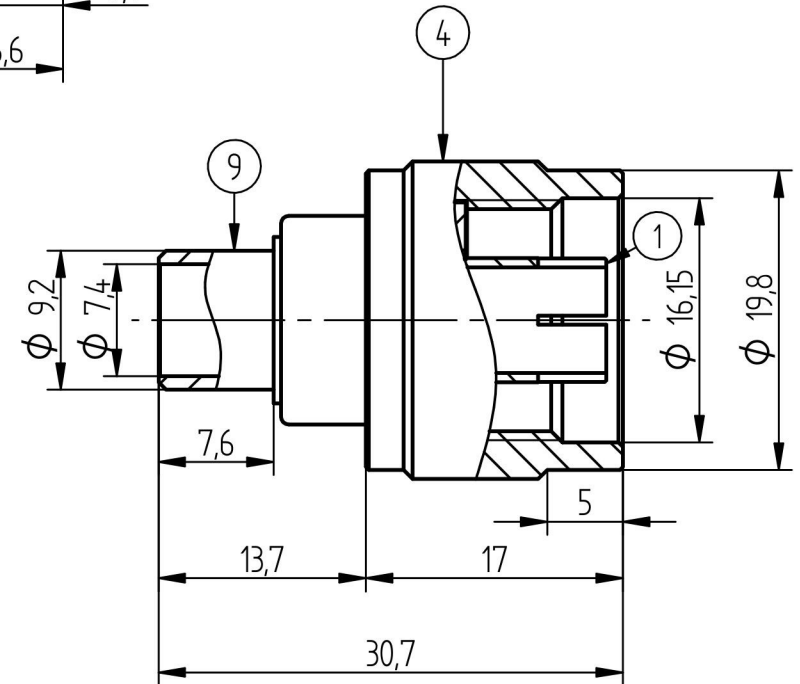
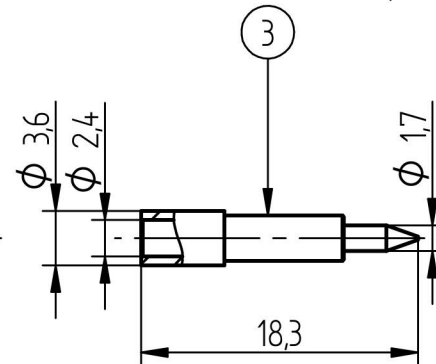
RECOMMENDED
CABLE STRIPPING DIM'S



RG213



RG214



9	BT-N11.0X10.3-236B	BODY/C3604/NI	1
8	FE-N12.7X14.0-392B	FERRULE/C3604/NI	1
7	FE-N13.2X14.0-401B	FERRULE/C3604/NI	1
6	WS-N17.0X3.0-059B	GASKET/C3604/NI	1
5	PP-O15.6X1.5-537I	SILICONE/SILICONE/OR	1
4	SH-N21.0X17.0-104B	SHELL/C3604/NI	1
3	PI-G3.6X18.3-684B	PIN/C5441/GOLD	1
2	TM-W9.6X7.0-469	INSULATOR/PTFE/WHITE	1
1	TC-N16.0X21.5-310B	BODY/C3604/NI	1
NO	DESCRIPTION	MATERIAL / FINISH	Q'TY

Material:		Treatment:		TRANSVOICE			
Drawer	Design	Aprov	Tolerance				
			X=±0.5 .X=±0.2 .XX=±0.1 .XXX=±0.05	Ver: A	Scale 2:1	Model NO	
Part NO				File NO: QR0402	Drawing NO	CR-1112(EN).dft	