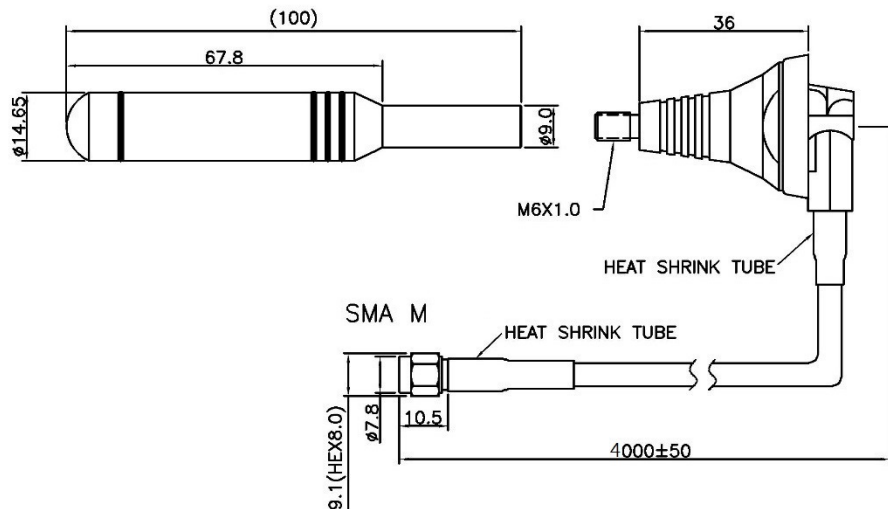


Cable	195
OD	$\phi 4.95 \pm 0.1 \text{ mm}$
Cover	Black
SMA M	Gold-plated

Frequency	2.4G
Impedance	50 Ω
V.S.W.R	2.0:1
Gain	3~4dB

ROHS

150 9001
150 14001



Material:		Treatment:		TRANSVOICE			
Drawer	Design	Aprov	Tolerance	Unit: mm		TITLE	C07A+M45-4+195 +RP SMA M
			X=±0.5	Ver: A	Scale 1:1	Model NO	
			.X=±0.2	File NO: QR0402	Drawing NO	20210114-001	
			.XX=±0.1				
			.XXX=±0.05				

NO	DESCRIPTION	MATERIAL / FINISH	Q'TY
Part NO			